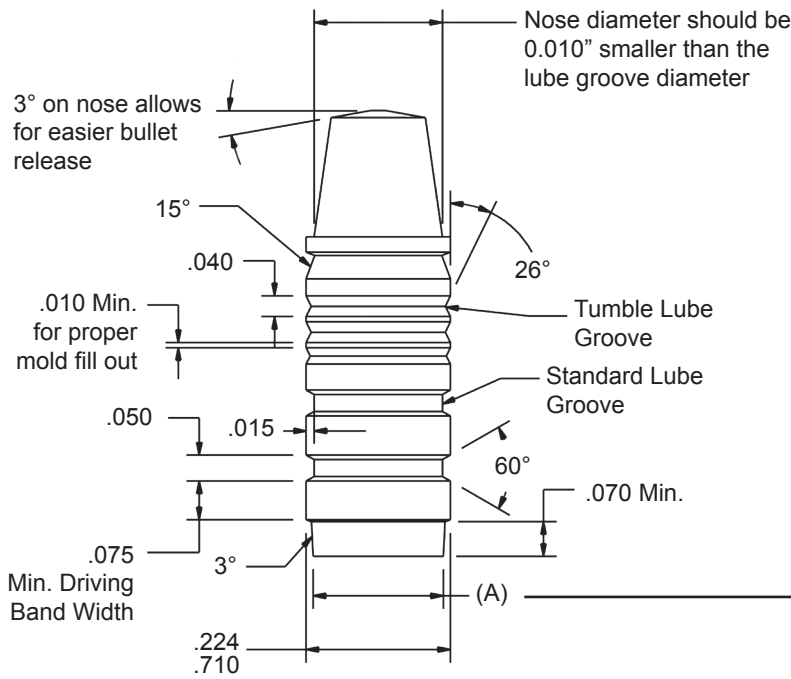


# CUSTOM MOLD DESIGN ASSISTANCE SHEET

## Some basic limitations of our manufacturing process

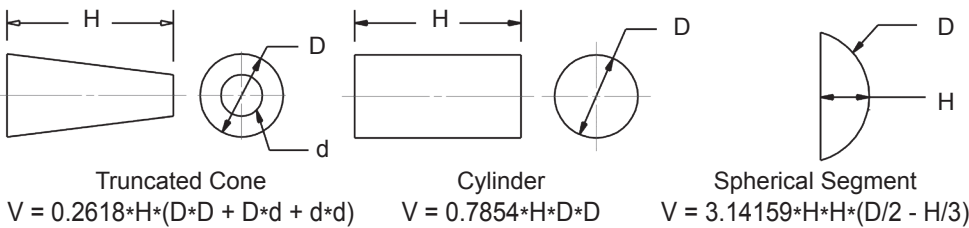


**Custom Pricing:**  
**Bullet Molds:**  
 \$250 setup/tooling fee<sup>^</sup> + cost of mold + s&h  
**Roundball Molds** (.689 dia. and smaller)  
 \$250 setup/tooling fee<sup>^</sup> + cost of mold + s&h  
**Cost of Molds:** double cavity \$26.98  
 six cavity \$54.00  
 All custom work must be paid upon approval of design  
<sup>^</sup> setup/tooling fee waived on orders 40 pcs. or more  
 dealers/distributors receive discount on orders of 100+ pcs.

### Crimp On Gas Check Shank Dimensions

Caliber	(A) inches
.22	.211
.25	.239
.270	.249
.30	.283
.338	.325
.35	.340
.375	.351
.41	.380
.44	.399
.45	.424
.500	.452

## Helpful formulas for bullet volume and weight



**Lead** = (2867 gr./cu.in.), **95/5 Lead Tin** = (2779 gr./cu.in.), **Linotype** = (2660 gr./cu.in.)  
 The weight calculation is for your reference only.  
 We will make the mold to your dimensions, not the weight.  
 We guarantee your stated size -0.000"/+0.003"

## Lee Precision Custom Bullet Molds Policy

- Our mold tolerance is stated diameter +.003 / -.000 inch. For example, if the diameter dimension on the bullet mold drawing is .429 inch, actual mold cavity diameter can vary from .429 to .432 inch.
- We do not guarantee that a custom bullet mold will cast to a specific diameter or weight. If a specific diameter is required it is best to dimension the mold to cast slightly large, then size the bullet down to the desired diameter. Bullet weight depends on the alloy used in casting. We can provide the volume of the bullet in cubic inches or cubic centimeters, but it is up to the bullet designer to calculate the weight based on the density of his or her alloy.
- Custom molds must be inspected and returned if found defective within 30 days of receipt.
- We do not keep spares for all the different custom mold designs we make. Therefore, if the mold block is damaged by the customer, it will not be replaced. We can still repair damage to the sprue plate or mold handle.
- If you cancel your order after the final print has been approved, the charge for the mold is refundable, but the setup and tooling fee is NON-refundable.